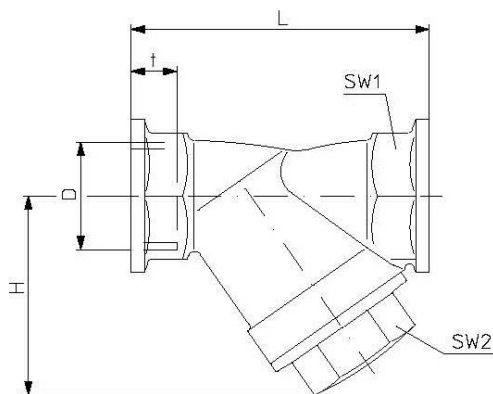


For liquids, gases, steam, water, mineral, fuel and hydraulic oils, fuels and other non-corrosive media in a liquid or gaseous state. Note: Flow direction (indicated by arrow).

|                         |                  |
|-------------------------|------------------|
| Housing                 | Red brass        |
| Head piece              | Brass            |
| Sealant                 | FKM (FPM) O-ring |
| Max. operating pressure | 25 bar           |
| Operating temperature   | -10 °C to 150 °C |



60-3/K

**Dirt strainer, sieve insert stainless steel, mesh width 0.25 mm**

| Art. No. | Type No. | Thread  | DN | H<br>mm | L<br>mm | t<br>mm | a/f 1<br>mm | a/f 2<br>mm | Screen                        |
|----------|----------|---------|----|---------|---------|---------|-------------|-------------|-------------------------------|
| 105659   | 60-1/K   | G 1/4   | 8  | 34.0    | 56.0    | 11.0    | 21          | 17          | Double stainless steel screen |
| 105660   | 60-2/K   | Rp 3/8  | 10 | 34.0    | 63.5    | 10.0    | 22          | 17          | Double stainless steel screen |
| 105661   | 60-3/K   | Rp 1/2  | 15 | 42.0    | 66.5    | 13.2    | 27          | 22          | Double stainless steel screen |
| 105662   | 60-4/K   | Rp 3/4  | 20 | 52.0    | 76.5    | 14.5    | 32          | 27          | Double stainless steel screen |
| 105663   | 60-5/K   | G 1     | 25 | 61.0    | 90.0    | 11.5    | 38          | 32          | Double stainless steel screen |
| 105664   | 60-6/K   | G 1 1/4 | 32 | 73.0    | 112.0   | 15.5    | 47          | 41          | Double stainless steel screen |
| 105665   | 60-7/K   | G 1 1/2 | 40 | 82.0    | 120.0   | 14.5    | 54          | 46          | Double stainless steel screen |
| 105666   | 60-8/K   | G 2     | 50 | 94.0    | 150.0   | 18.5    | 66          | 56          | Double stainless steel screen |

**Dirt strainer, sieve insert stainless steel, mesh width 0.6 mm**

| Art. No. | Type No.   | Thread  | DN | H<br>mm | L<br>mm | t<br>mm | a/f 1<br>mm | a/f 2<br>mm | Screen                        |
|----------|------------|---------|----|---------|---------|---------|-------------|-------------|-------------------------------|
| 143321   | 60-1/K-0,6 | G 1/4   | 8  | 34.0    | 56.0    | 11.0    | 21          | 17          | Double stainless steel screen |
| 143322   | 60-2/K-0,6 | Rp 3/8  | 10 | 34.0    | 63.5    | 10.0    | 22          | 17          | Double stainless steel screen |
| 143323   | 60-3/K-0,6 | Rp 1/2  | 15 | 42.0    | 66.5    | 13.2    | 27          | 22          | Double stainless steel screen |
| 143324   | 60-4/K-0,6 | Rp 3/4  | 20 | 52.0    | 76.5    | 14.5    | 32          | 27          | Double stainless steel screen |
| 143325   | 60-5/K-0,6 | G 1     | 25 | 61.0    | 90.0    | 11.5    | 38          | 32          | Double stainless steel screen |
| 143326   | 60-6/K-0,6 | G 1 1/4 | 32 | 73.0    | 112.0   | 15.5    | 47          | 41          | Simple stainless steel screen |
| 143327   | 60-7/K-0,6 | G 1 1/2 | 40 | 82.0    | 120.0   | 14.5    | 54          | 46          | Double stainless steel screen |
| 143328   | 60-8/K-0,6 | G 2     | 50 | 94.0    | 150.0   | 18.5    | 66          | 56          | Double stainless steel screen |

**Spare parts set for red brass strainers, mesh width 0.25 mm, 600 meshes/cm<sup>2</sup>**

| Art. No. | Type No. | Description                 | Height<br>mm | Ø<br>mm |
|----------|----------|-----------------------------|--------------|---------|
| 105667   | 60-2/ETS | For port size G 1/4, Rp 3/8 | 22.0         | 13.5    |
| 105668   | 60-3/ETS | For port size Rp 1/2        | 27.0         | 19.0    |
| 105669   | 60-4/ETS | For port size Rp 3/4        | 36.0         | 25.0    |
| 105670   | 60-5/ETS | For port size G 1           | 42.0         | 31.0    |
| 105671   | 60-6/ETS | For port size G 1 1/4       | 55.0         | 43.0    |
| 105672   | 60-7/ETS | For port size G 1 1/2       | 62.0         | 48.5    |
| 105673   | 60-8/ETS | For port size G 2           | 72.0         | 64.0    |



**Spare parts set for red brass strainers, mesh width 0.6 mm, 100 meshes/cm<sup>2</sup>**

| Art. No. | Type No.     | Description                 | Height<br>mm | Ø<br>mm |
|----------|--------------|-----------------------------|--------------|---------|
| 143329   | 60-2/ETS-0,6 | For port size G 1/4, Rp 3/8 | 22.0         | 13.5    |
| 143330   | 60-3/ETS-0,6 | For port size Rp 1/2        | 27.0         | 19.0    |
| 143331   | 60-4/ETS-0,6 | For port size Rp 3/4        | 36.0         | 25.0    |
| 143332   | 60-5/ETS-0,6 | For port size G 1           | 42.0         | 31.0    |
| 143333   | 60-6/ETS-0,6 | For port size G 1 1/4       | 55.0         | 43.0    |
| 143334   | 60-7/ETS-0,6 | For port size G 1 1/2       | 62.0         | 48.5    |
| 143335   | 60-8/ETS-0,6 | For port size G 2           | 72.0         | 64.0    |

|    |       | Art. No. 143321 to 143328<br>with water | Art. No. 105659 to 105666<br>with water |
|----|-------|---|---|
| DN | di/mm | $k_v$                                   | $k_v$                                   |
| 8  | 8,8   | 1,5                                     | 1,4                                     |
| 10 | 12,5  | 1,7                                     | 1,6                                     |
| 15 | 16,0  | 3,8                                     | 3,4                                     |
| 20 | 21,6  | 7,8                                     | 6,9                                     |
| 25 | 27,2  | 13,4                                    | 10,9                                    |
| 32 | 35,9  | 23,9                                    | 20,7                                    |
| 40 | 41,8  | 32,5                                    | 27,4                                    |
| 50 | 53,0  | 56,2                                    | 47,3                                    |
| 65 | 68,8  | 101,3                                   | 82,1                                    |
| 80 | 80,8  | 133,6                                   | 102,0                                   |

$k_v$  value (water) in m<sup>3</sup>/h at  $\Delta p$  1 bar.